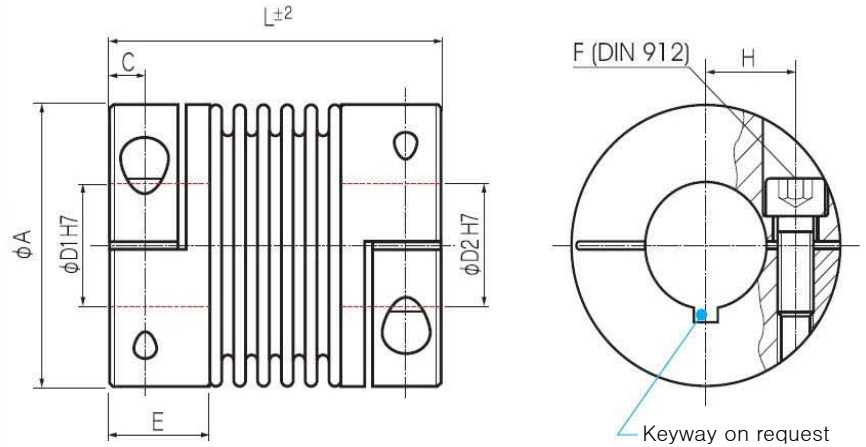


Metal Bellows Coupling

with Collet Clamp



Order Code : **KB4/60 - 89 - 12 - 32 - S**

Type / Size

Length L

Ø D1
H7

Ø D2
H7

Options

	Torque T_{KN} (Nm)	Dimensions (mm)							Technical Ratings								
		L	Ø A	D1 / D2	H	C	E	F	Mass (kg)	Moment of Inertia J ($g \cdot m^2$)	Spring Stiffness			Misalignment			max Speed rpm
		Length (±2)	Outer Ø	Bore Sizes (H7) min~max			Hub- Length	Screw (DIN912) T_A (Nm)			torsional $C_T \times 10^3$ (Nm/rad)	radial C_R (N/mm)	axial C_A (N/mm)	radial ΔKr (mm)	axial ΔKa (mm)	angular ΔKw (°)	
KB4/18	18	63 71	45	10~25.4	17	5.5	19.5	M5 8	0.1 0.15	0.04 0.05	20 15	205 82	50 36	0.2 0.25	0.5 0.5	1.5 2	12800
KB4/30	30	65 73	56	10~30	20	7.5	24.5	M6 15	0.3 0.32	0.15 0.16	38 28	720 225	50 28	0.15 0.25	0.6 1	1.5 2	10300
KB4/60	60	79 89	66	12~32	23	10	29	M8 40	0.5 0.6	0.33 0.36	75 50	1150 340	90 50	0.15 0.25	0.6 1	1.5 2	8700
KB4/80	80	91 102	82	14~42	28	11	33.5	M10 72	2.3 2.4	2.3 2.4	128 75	1200 400	80 50	0.2 0.25	0.5 0.8	1.5 2	6900
KB4/150	150	91 102	82	19~42	28	11	33.5	M10 84	2.3 2.4	2.5 2.6	155 105	2020 595	145 85	0.2 0.25	0.5 0.5	1.5 2	6900
KB4/200	200	101 113	90	22~45	31	13	38	M12 125	2.6 2.7	3.3 3.5	175 120	2500 460	145 82	0.2 0.25	0.5 0.8	1.5 2	6400
KB4/300	300	105 116	110	30~60	40	13	38	M12 145	4.3 4.4	7.6 7.8	502 285	6300 1400	280 145	0.2 0.25	0.5 0.8	1.5 2	6000
KB4/500	500	112 123	122	35~70	42	15	42	M12 145	5.5 5.6	13.5 13.7	690 320	7790 970	100 85	0.2 0.25	0.5 1	1.5 2	5000
KB4/800	800	168	157	40~80	55	22.5	55	M20 400	9	35	1270	700	275	0.2	0.8	1.8	5000
KB4/1400	1400	168	157	50~80	55	22.5	55	M20 470	10	36	1270	700	275	0.2	0.8	1.8	5000

* Material : Bellows -
Hub -

Stainless Steel
Size

Standard

Option

18-60
80-500
800-1400

Aluminium
Steel
Steel

Stainless Steel
Aluminium, Stainless Steel
Stainless Steel

* Hub :

Bore Tolerance : H7

keyway acc. DIN 6885 optional

* Temperature Range :

-30 °C ~ 120 °C