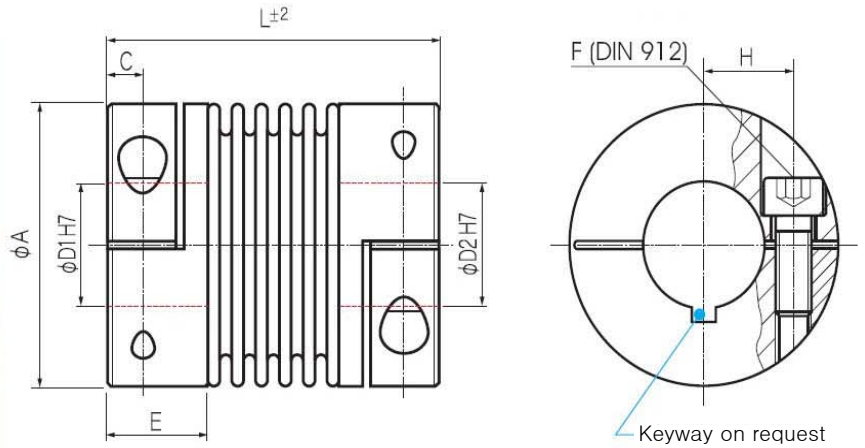


## Metal Bellows Coupling

with Collet Clamp  
Hub : Aluminium



Order Code : **KB4AL/80 - 91 - 15 - 20 - S**

Type / Size

Length L

Ø D1  
H7

Ø D2  
H7

Options

	Torque $T_{KN}$ (Nm)	Dimensions ( mm )							Technical Ratings								
		L	Ø A	D1 / D2	H	C	E	F	Mass (kg)	Moment of Inertia J ( $g \cdot m^2$ )	Spring Stiffness			Misalignment			max Speed rpm
		Length (±2)	Outer Ø	Bore Sizes (H7) min~max			Hub- Length	Screw (DIN912) $T_A$ (Nm)			torsional $C_T \times 10^3$ (Nm/rad)	radial $C_R$ (N/mm)	axial $C_A$ (N/mm)	radial $\Delta Kr$ (mm)	axial $\Delta Ka$ (mm)	angular $\Delta Kw$ (°)	
KB4AL/18	18	63 71	45	10-25.4	17	5.5	19.5	M5 8	0.1 0.15	0.04 0.05	20 15	205 82	50 36	0.2 0.25	0.5 0.5	1.5 2	12800
KB4AL/30	30	65 73	56	10-30	20	7.5	24.5	M6 15	0.3 0.32	0.15 0.16	38 28	720 225	50 28	0.15 0.25	0.6 1.0	1.5 2	10300
KB4AL/60	60	79 89	66	12-32	23	10	29	M8 40	0.5 0.6	0.33 0.36	75 50	1150 340	90 50	0.15 0.25	0.6 1.0	1.5 2	8700
KB4AL/80	80	91 102	82	14-42	28	11	33.5	M10 72	0.8 0.85	0.9 0.95	128 75	1200 400	80 50	0.2 0.25	0.5 0.8	1.5 2	6900
KB4AL/150	150	91 102	82	19-42	28	11	33.5	M10 84	0.9 0.95	1.0 1.05	155 105	2020 595	145 85	0.2 0.25	0.5 0.5	1.5 2	6900
KB4AL/200	200	101 113	90	22-45	31	13	38	M12 125	1.17 1.21	1.49 1.57	175 120	2500 460	145 82	0.2 0.25	0.5 0.8	1.5 2	6400
KB4AL/300	300	105 116	110	30-60	40	13	38	M12 145	1.62 1.66	3.28 3.37	502 285	6300 1400	280 145	0.2 0.25	0.5 0.8	1.5 2	6000
KB4AL/500	500	112 123	122	35-65	42	15	42	M12 145	2.4 2.5	6.4 6.7	690 320	7790 970	100 85	0.2 0.25	0.5 1.0	1.5 2	5000

\* Material : Bellows - Stainless Steel  
Hub - Aluminium

\* Hub : Bore Tolerance : H7 keyway acc. DIN 6885 optional

\* Temperature Range : -30 °C ~ 120 °C

