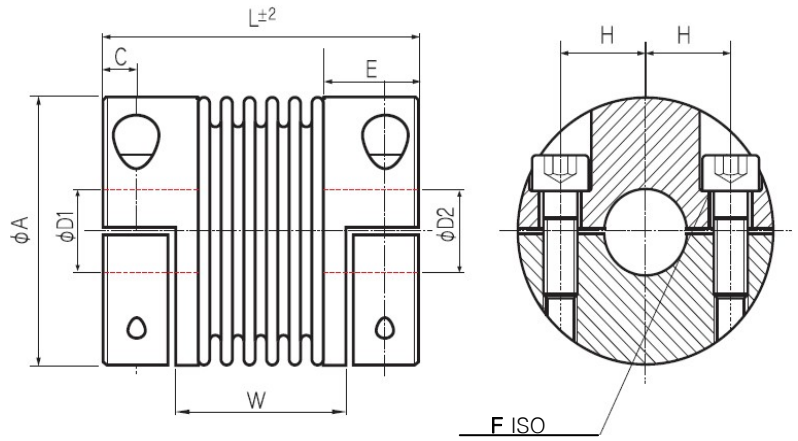
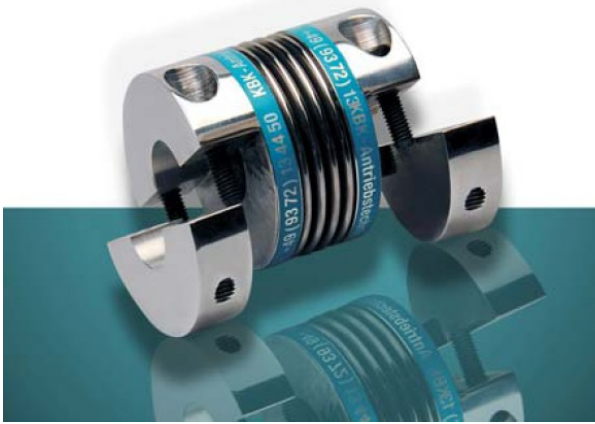


Metal Bellows Coupling

with Split Hub



Order Code : **KB4H/60 - 83 - 20 - 20 - S**

Type / Size

Length L

Ø D1
H7

Ø D2
H7

Options

	Torque T_{KN} (Nm)	Dimensions (mm)								Technical Ratings								
		L	Ø A	D1 / D2	H	C	E	W	F	Mass (kg)	Moment of Inertia J ($g \cdot m^2$)	Spring Stiffness			Misalignment			max Speed rpm
		Length (± 2)	Outer Ø	Bore Sizes (H7) min~max					Screw (DIN912) T_A (Nm)			torsional $C_T \times 10^3$ (Nm/rad)	radial C_R (N/mm)	axial C_A (N/mm)	radial ΔKr (mm)	axial ΔKa (mm)	angular ΔKw (°)	
KB4H/18	18	63 71	45	10-25	17	5.5	19.5	37 45	M5 8	0.1 0.15	0.04 0.05	20 15	205 82	50 36	0.2 0.25	0.5 0.5	1.5 2	12800
KB4H/30	30	69 77	56	10-30	20	7.5	27	35 43	M6 15	0.3 0.32	0.14 0.15	38 28	720 225	50 28	0.15 0.25	0.6 1	1.5 2	10300
KB4H/60	60	83 93	66	12-35	23	9.5	31	41 51	M8 40	0.5 0.6	0.28 0.29	75 50	1150 340	90 50	0.15 0.25	0.6 1	1.5 2	8700
KB4H/80	80	94 106	82	14-42	28	11	36	47 59	M10 72	0.9 0.95	0.65 0.67	128 75	1200 400	80 50	0.2 0.25	0.5 0.8	1.5 2	6900
KB4H/150	150	95 107	82	19-42	28	11	36	48 60	M10 84	0.9 0.95	0.82 0.86	155 105	2020 595	145 85	0.2 0.25	0.5 0.5	1.5 2	6900
KB4H/200	200	105 117	90	22-45	31	12.5	41	51 63	M12 125	1.3 1.35	2.2 2.7	175 120	2500 460	145 82	0.2 0.25	0.5 0.8	1.5 2	6400
KB4H/300	300	111 125	110	24-60	39	13	43	55 69	M12 145	1.8 1.85	4.2 5.2	502 285	6300 1400	280 145	0.2 0.25	0.5 0.8	1.5 2	6000
KB4H/500	500	133 146	122	35-65	42	15	51	62 75	M12 145	2.50 2.51	8.6 9.3	690 320	7790 970	100 85	0.2 0.25	0.5 1	1.5 2	5000

- * Hub : Bore Tolerance : H7 keyway acc. DIN 6885 optional
- * Material : Bellows - Stainless Steel
Hub - Aluminium (also available in Stainless Steel)
- * Temperature Range : -30 °C ~ 120 °C