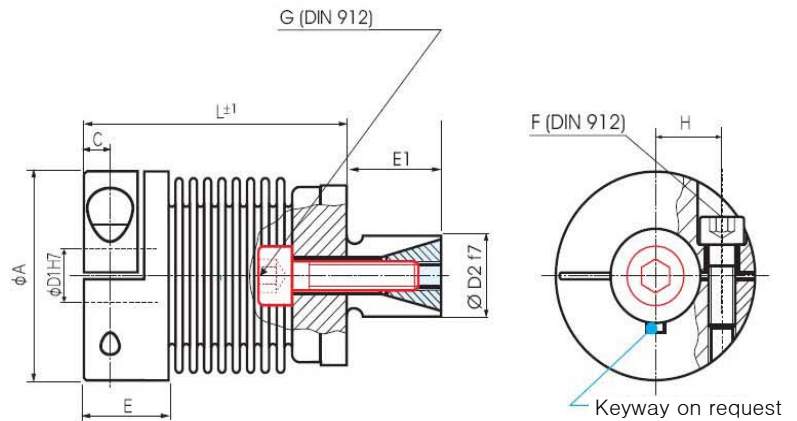


# KB8/18~300

## Miniature Metal Bellows Couplings : KB8 Series

### Metal Bellows Coupling

with Expanding Shaft



Order Code : **KB8/30** – **53** – **15** – **20** – **S**

Type / Size
Length L
Ø D1 H7
Ø D2 H7
Options

	Torque $T_{KN}$ (Nm)	Dimensions ( mm )								Technical Ratings									
		L	Ø A	D1	D2	H	C	E	E1	F/G	Mass (kg)	Moment of Inertia J ( $g \cdot m^2$ )	Spring Stiffness			Misalignment			max Speed rpm
		Length ( $\pm 1$ )	Outer Ø	Bore (H7) min~ max	Expa nding min~ max					Screw (DIN912) $T_A$ (Nm)			$C_T \times 10^3$ (Nm/rad)	$C_R$ (N/mm)	$C_A$ (N/mm)	$\Delta K_r$ (mm)	$\Delta K_a$ (mm)	$\Delta K_w$ (°)	
KB8/18	18	45	45	10~ 25.4	13~ 25	17	5.5	19.5	20	M5	0.14	0.04	20	205	50	0.2	0.5	1.5	12800
		8								0.15	0.05	15	82	35	0.25	0.5	2	12800	
KB8/30	30	53	56	10~ 30	14~ 30	20	7.5	24.5	25	M6	0.3	0.15	38	720	50	0.15	0.6	1.5	10300
		15								0.31	0.16	28	225	28	0.25	1	2	10300	
KB8/60	60	62	66	12~ 32	23~ 38	23	10	29	27	M8	0.4	0.28	128	1150	90	0.15	0.6	1.5	8700
		40								0.42	0.31	75	340	50	0.25	1	2	8700	
KB8/150	150	71	82	19~ 42	26~ 42	28	11	33.5	32	M10	0.8	0.9	155	2020	145	0.2	0.5	1.5	6900
		84								0.85	0.95	105	595	85	0.25	0.5	2	6900	
KB8/300	300	84	110	35~ 65	38~ 60	39	13	38	45	M12	1.62	3.28	502	6300	280	0.2	0.5	1.5	6000
		145								1.66	3.37	285	1400	145	0.25	0.8	2	6000	

- \* Hub : Bore Tolerance : H7
- \* Material : Bellows – Stainless Steel  
Hub – Aluminium ( also available in Stainless Steel )  
Expanding
- \* Temperature Range : -30 °C ~ 120 °C