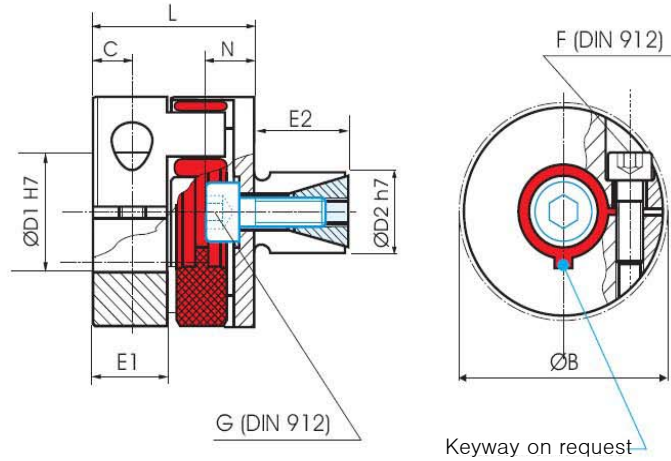


Elastomer Coupling

with Expanding Shaft



Order Code : **KBE4 - 38 - 40 - 38 - S**

Type
Size
Ø D1 H7
Ø D2 H7
Options

	Dimensions (mm)											Technical Ratings			
	Ø A Outer Ø	L Length	Ø D1 Bore Sizes (H7) min~max	Ø D2 Bore Sizes (H7) min~max	E1	E2	N	C	B Max. Ø	F Screw (DIN912) T _A (Nm)	F Screw (DIN912) T _A (Nm)	Maximum Speed rpm (1/min)	Mass (per Hub) (g)	Moment of Inertia J (g cm ²)	Torque (Nm)
KBE4-14	30	28	4-16	13-25	11	20	7	5	32.2	M3 1.4	M5 9	20000	137	0.13	12.5
KBE4-19	40	40	10-20	14-30	17	25	10	9	45.7	M6 15	M6 12	19000	287	0.44	17
KBE4-24	55	46	12-32	23-36	20	27	11	10	56.4	M6 15	M8 32	14000	756	2.18	60
KBE4-28	65	51	19-38	26-42	21	32	16	11	72.6	M8 35	M10 60	11500	1350	5.87	160
KBE4-38	80	68	20-45	38-60	31	45	20	15	83.3	M8 35	M12 110	9500	2500	16.7	325

Transmissible Torque (Nm) of the Hubs

	Ø Bore (mm)																						
	4	6	8	9	10	11	12	14	15	16	18	19	20	24	25	28	30	32	35	38	40	42	45
KBE 4 - 14	3.4	3.6	3.9	4	4.1	4.2	4.3	4.6	4.7	4.8													
KBE 4 - 19			24.3	25	25.7	26.3	27	28.4	29	29.7	31.1	31.7	32.4	35									
KBE 4 - 24					21	23	25	30	32	34	38	40	42	51	53	59	63	68					
KBE 4 - 28								54	58	62	70	74	78	93	97	109	116	124	136				
KBE 4 - 38									92	99	111	117	128	148	154	173	185	197	216	234	247	259	278

- * Hub : Bore Tolerance : H7
- * Material : Elastomer - Polyurethan 98 Sh A (red)
Hub : Aluminium
Expanding Hub - Steel