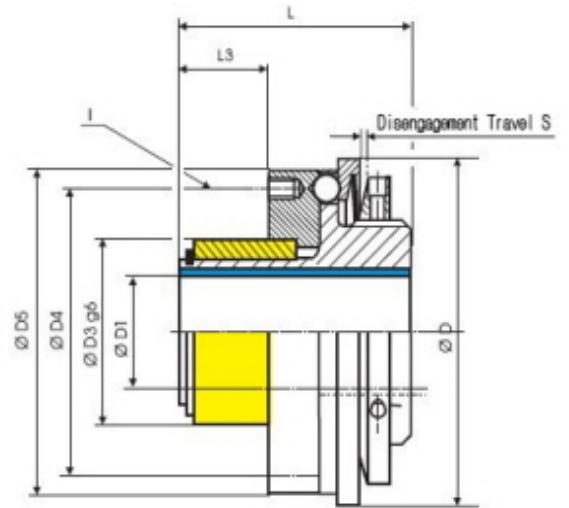




Safety Couplings

with keyway



Order Code : KBK/CP-60 - 20H7 - 20Nm - C or D - 2

Type / Size

Ø D1

Disengagement
Torque

C=Single Position
D=Multi Position

Overload
Torque Range

KBK/CP-x	Dimensions (mm)									Technical Ratings				
	Ø D	Ø D1	Ø D3	Ø D4	Ø D5	L	L3	S	I	Overload Torque adjustable		Maximum Speed rpm (1/min)	Mass (kg)	Moment of Inertia J (kg cm ²)
	Outer Ø	Bore Sizes (H7) min~max				Length			6X	1 T _{KN} (Nm)	2 T _{KN} (Nm)			
-10	49	6-14	24	30	47	34	8	0.7	M3	3-7	5-10	12000	0.15	0.35
-30	64	12-20	30	46	60	40	9	1.2	M4	5-15	10-30	9400	0.45	1.9
-60	79	15-25	36	50	75	48	16	1.2	M5	13-35	20-60	7800	0.83	5.1
-80	94	20-35	48	65	90	58	22	2	M6	15-40	30-80	6400	1.4	12
-150	94	20-35	48	65	90	58	22	2	M6	50-130	65-150	5500	1.4	12
-200	109	20-40	52	70	105	63	25	2	M6	30-90	80-200	5500	1.64	19
-300	119	30-46	58	76	115	75	31	2	M8	60-200	150-300	5000	2.5	38
-500	129	35-50	66	110	125	94	33	2	M8	80-250	200-500	4500	3.8	68

* Hub :
* Temperature Range :

Bore Tolerance : H7
-30 °C ~ 120 °C

keyway acc. DIN 6885

