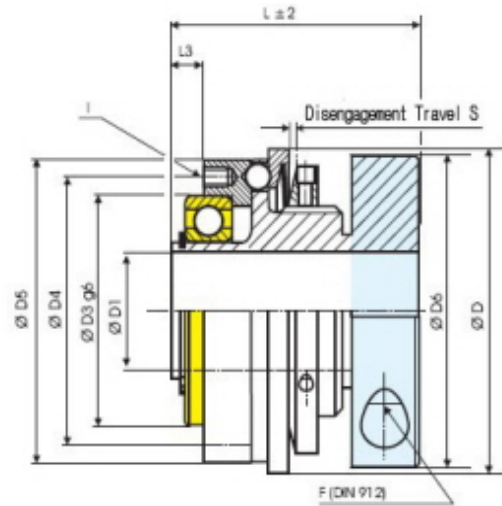
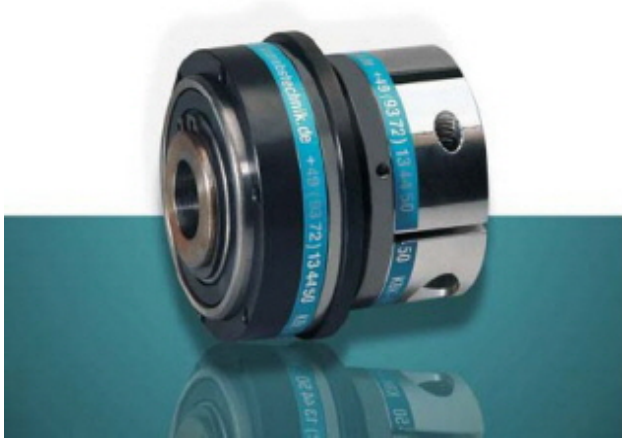


## Safety Couplings

with collet clamp



Order Code : **KBK/L-K-60 - 20H7 - 20Nm - C or D - 2**

Type / Size

Ø D1

Disengagement Torque

C=Single Position  
D=Multi Position

Overload Torque Range

KBK/L-K-X	Dimensions ( mm )										Technical Ratings					
	Ø D	Ø D1	Ø D3	Ø D4	Ø D5	Ø D6	L	L3	S	I	F Screw (DIN912) T <sub>A</sub> (Nm)	Overload Torque adjustable		Maximum Speed rpm (1/min)	Mass (kg)	Moment of Inertia J (kg cm <sup>2</sup> )
	Outer Ø	Bore Sizes (H7) min~max					Length			6X		1 T <sub>KN</sub> (Nm)	2 T <sub>KN</sub> (Nm)			
-2	29	3-11	19	21	25	25	28	3	0.7	M2	M3 2	0.2-1.5	0.5-2	13200	0.06	0.05
-4.5	42	6-13	26	28	32	32	30	4	0.7	M2	M4 3.5	1-3	3-6	12300	0.11	0.2
-7	49	6-20	37	42	47	47	36	5	0.7	M3	M4 4.5	1-4	3-7	12000	0.18	0.4
-10	49	6-20	37	42	47	47	36	5	0.7	M3	M4 5.1	3-7	5-10	12000	0.18	0.4
-30	64	10-26	47	53	60	60	50.5	6	1.2	M4	M6 15	5-15	10-30	9400	0.59	2.4
-60	79	12-31	62	69	75	75	73	8	1.2	M5	M8 36	13-35	20-60	7800	1.05	6.4
-80	94	14-38	68	80	90	90	67	10	2	M6	M10 72	15-40	30-80	6400	2.4	21
-150	94	14-38	68	80	90	90	67	10	2	M6	M10 84	50-130	65-150	5500	2.4	21
-200	109	22-41	80	90	105	105	78	10	2	M6	M12 125	30-90	80-200	5500	2.9	35
-300	119	30-57	90	102	115	115	84	10	2	M8	M12 145	60-200	150-300	5000	4.4	66
-500	129	35-62	100	112	125	125	93	10	2	M8	M12 145	80-250	200-500	4500	6.4	113

\* Hub :  
\* Temperature Range :

Bore Tolerance : H7  
-30 °C ~ 120 °C

keyway acc. DIN 6885 optional