

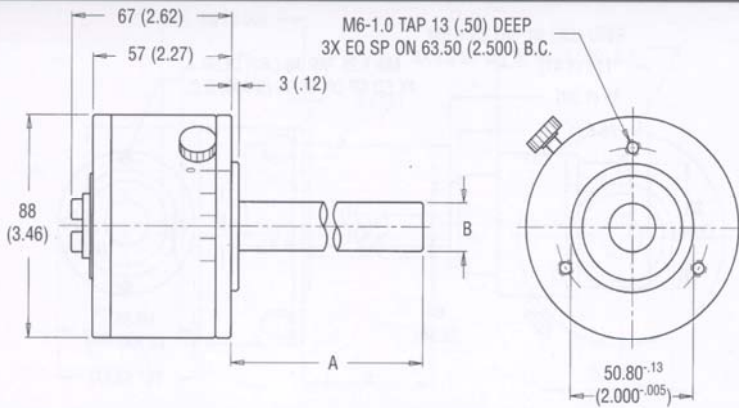
MODEL 523

Torque .03 to 1.36 Nm (.3 to 12 in lbs)

BENDING MOMENT 9 Nm (80 in lbs)

HEAT DISSIPATION 28 Watts

523



METRIC				ENGLISH					
MODEL	UNIT WEIGHT	INERTIA	DIMENSIONS		MODEL	UNIT WEIGHT	INERTIA	DIMENSIONS	
	kg	(kgm ²)x10 ⁻⁵	A	B		lb (in oz s ²)x10 ⁻³		A	B
			mm	mm ^{-.03}				in	in ^{-.001}
523-0192	2.08	10.0	203.2	15.00	523-0192	4.6	14.1	8.0	.590
523-003	1.91	9.5	54.0	15.87	523-003	4.2	13.4	2.1	.625
523-016	2.27	10.6	279.4	15.87	523-016	5.0	15.0	11.0	.625
523-002	1.95	9.5	54.0	19.05	523-002	4.3	13.4	2.1	.750
523-006	2.45	12.0	279.4	19.05	523-006	5.4	17.0	11.0	.750

Other sizes available; specify both "A" and "B"



MODEL 523 COUPLING STYLE

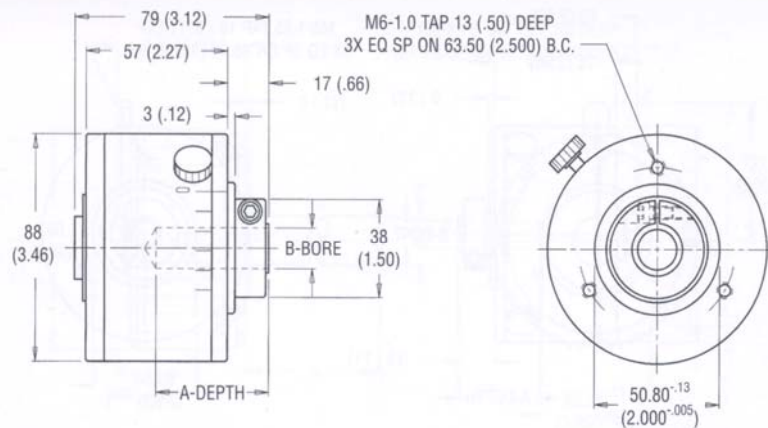
Torque .03 to 1.36 Nm (.3 to 12 in lbs)

BENDING MOMENT 9 Nm (80 in lbs)

HEAT DISSIPATION 28 Watts

523

COUPLING STYLE



METRIC				ENGLISH					
MODEL	UNIT WEIGHT	INERTIA	DIMENSIONS		MODEL	UNIT WEIGHT	INERTIA	DIMENSIONS	
	kg	(kgm ²)x10 ⁻⁵	A	B		lb (in oz s ²)x10 ⁻³		A	B
			mm	mm ^{+.03}				in	in ^{+.001}
523-095	1.86	7.8	44.5	12.70	523-095	4.1	11.0	1.75	.500
523-0193	1.86	7.8	44.5	15.00	523-0193	4.1	11.0	1.75	.590
523-096	1.86	7.8	44.5	15.87	523-096	4.1	11.0	1.75	.625

Other sizes available; specify both "A" and "B"

