

523

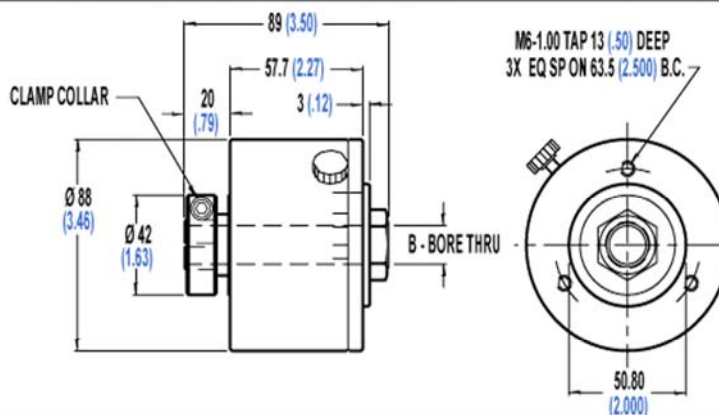
HOLLOW BORE

MODEL 523 HOLLOW BORE

Torque .03 to 1.36 Nm (.3 to 12 in lbs)

BENDING MOMENT 9 Nm (80 in lbs)

HEAT DISSIPATION 28 Watts



METRIC				ENGLISH			
MODEL	UNIT WEIGHT	INERTIA	DIMENSIONS B	MODEL	UNIT WEIGHT	INERTIA	DIMENSIONS B
	kg	(kgm ²)x10 ⁻⁵	mm ^{+0.03}		lb (in oz s ²)x10		in ^{+0.001}
523-0201	1.86	7.8	12.7	523-0201	4.1	11.0	0.500
523-0206	1.86	7.8	15.8	523-0206	4.1	11.0	0.625
523-0208	1.86	7.8	16	523-0208	4.1	11.0	0.630

Other sizes available; specify both "A" and "B"

535

MODEL 535

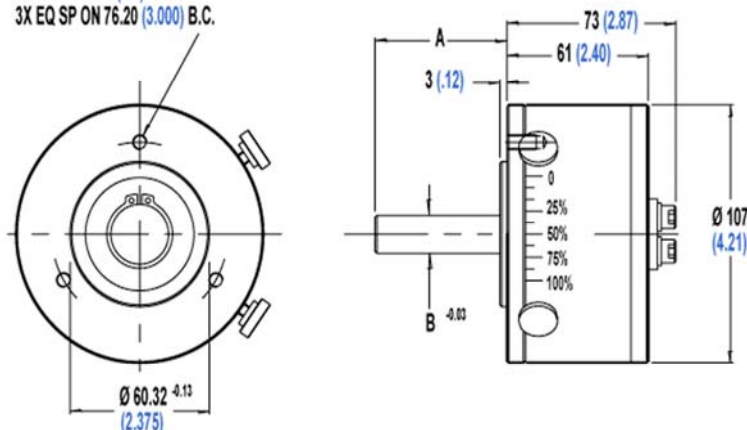
Torque 0.11 to 2.80 Nm (1.0 to 25 in lbs)

BENDING MOMENT 13.5 Nm (120 in lbs)

HEAT DISSIPATION 95 Watts



M6-1.00 TAP 12 (.47) DEEP
3X EQ SP ON 76.20 (3.000) B.C.



METRIC				ENGLISH			
MODEL	UNIT WEIGHT	INERTIA	DIMENSIONS A B	MODEL	UNIT WEIGHT	INERTIA	DIMENSIONS A B
	kg	(kgm ²)x10 ⁻⁵	mm mm ^{+0.03}		lb (in oz s ²)x10 ⁻³		in in ^{+0.001}
535-001	3.15	0.939	57 15.88	535-001	6.97	1.33	2.25 0.625
535-003	3.50	0.981	279.4 15.88	535-003	7.73	1.39	11 0.625
535-005	3.79	1.1	242 22	535-005	8.36	1.55	9.53 0.866

Other sizes available; specify both "A" and "B"