

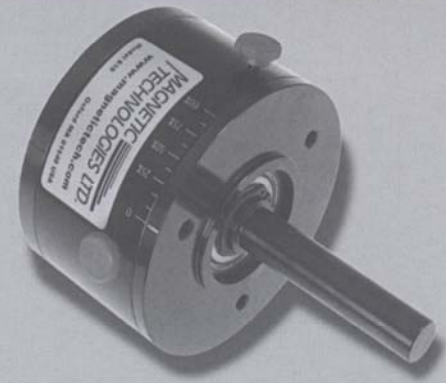
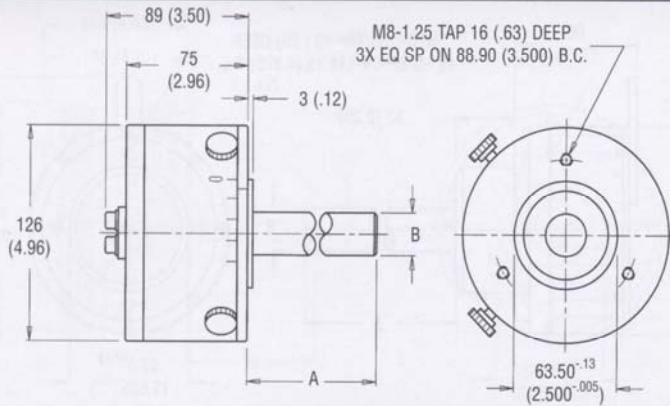
MODEL 610

Torque .14 to 4.5 Nm (1.2 to 40 in lbs)

BENDING MOMENT 17 Nm (150 in lbs)

HEAT DISSIPATION 95 Watts

610



METRIC				ENGLISH					
MODEL	UNIT WEIGHT	INERTIA	DIMENSIONS		MODEL	UNIT WEIGHT	INERTIA	DIMENSIONS	
	kg	(kgm ²)x10 ⁻⁵	A	B		lb (in oz s ²)x10 ⁻³		A	B
			mm	mm ⁻⁰³				in	in ⁻⁰⁰¹
610-014	4.60	39.0	88.9	19.05	610-014	10.2	55.0	3.5	.750
610-095	5.12	40.0	242.0	22.00	610-095	11.3	57.0	9.5	.866
610-011	5.00	40.0	152.4	25.00	610-011	11.0	57.0	6.0	.984
610-024	5.40	44.0	254.0	25.00	610-024	11.9	62.0	10.0	.984
610-055	5.62	46.0	304.8	25.40	610-055	12.4	65.0	12.0	1.000

Other sizes available; specify both "A" and "B"



MODEL 610 COUPLING STYLE

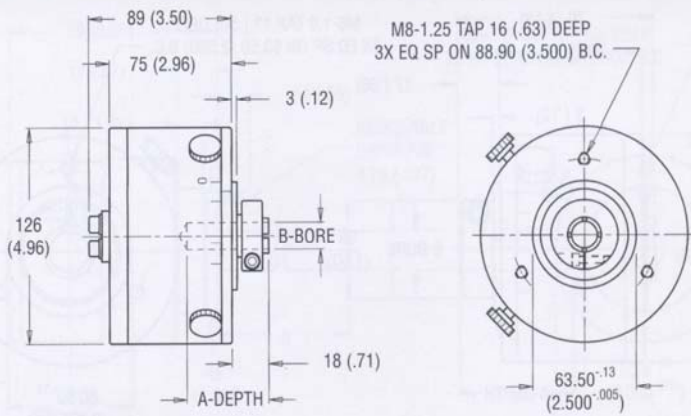
Torque .14 to 4.5 Nm (1.2 to 40 in lbs)

BENDING MOMENT 17 Nm (150 in lbs)

HEAT DISSIPATION 95 Watts

610

COUPLING STYLE



METRIC				ENGLISH					
MODEL	UNIT WEIGHT	INERTIA	DIMENSIONS		MODEL	UNIT WEIGHT	INERTIA	DIMENSIONS	
	kg	(kgm ²)x10 ⁻⁵	A	B		lb (in oz s ²)x10 ⁻³		A	B
			mm	mm ⁺⁰³				in	in ⁺⁰⁰¹
610-029	4.80	37.0	76.2	15.87	610-029	10.6	52.0	3.00	.625
610-048	4.80	37.0	63.5	16.00	610-048	10.6	52.0	2.50	.630
610-035	4.80	37.0	63.5	19.05	610-035	10.6	52.0	2.50	.750

Other sizes available; specify both "A" and "B"

