

610

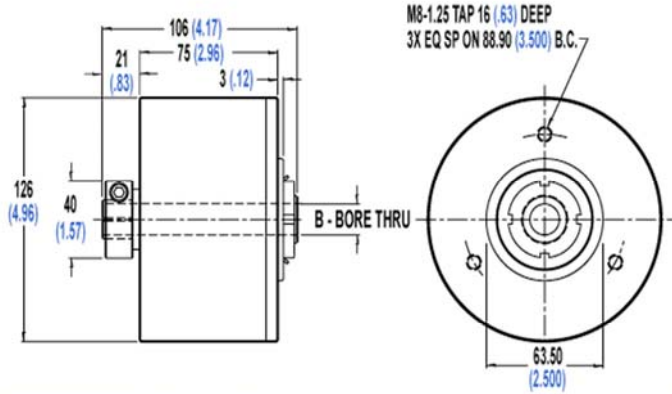
HOLLOW BORE

MODEL 610 HOLLOW BORE

Torque .14 to 4.5 Nm (1.2 to 40 in lbs)

BENDING MOMENT 17 Nm (150 in lbs)

HEAT DISSIPATION 95 Watts



METRIC			ENGLISH				
MODEL	UNIT WEIGHT	INERTIA	DIMENSIONS B	MODEL	UNIT WEIGHT	INERTIA	DIMENSIONS B
	kg	(kgm ²)x10 ⁻⁵	mm ⁻⁰³		lb (in oz s ²)x10 ⁻³		in ⁻⁰⁰¹
610-0115	4.80	37.0	16	610-0115	10.6	52.0	0.630

806

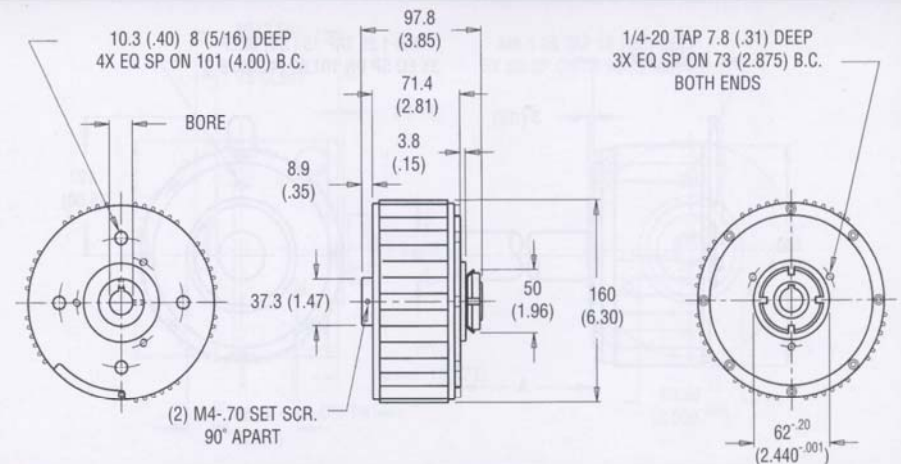
HOLLOW BORE

MODEL 806

Torque .33 to 7.9 Nm (3 to 70 in lbs)

BENDING MOMENT 23 Nm (200 in lbs)

HEAT DISSIPATION 150 Watts



METRIC			ENGLISH				
MODEL	UNIT WEIGHT	INERTIA	BORE	MODEL	UNIT WEIGHT	INERTIA	BORE
	kg	(kgm ²)x10 ⁻⁵	mm ⁺⁰³		lb (in oz s ²)x10 ⁻³		in ⁺⁰⁰¹
806-001	6.45	138	15.88	806-001	14.2	196	.625 3/16 keyway
806-004	6.45	138	19.05	806-004	14.2	196	.750 3/16 keyway
806-006	6.45	138	22.23	806-006	14.2	196	.875 w/clamp collar

Other sizes available; specify both "A" and "B"