

651

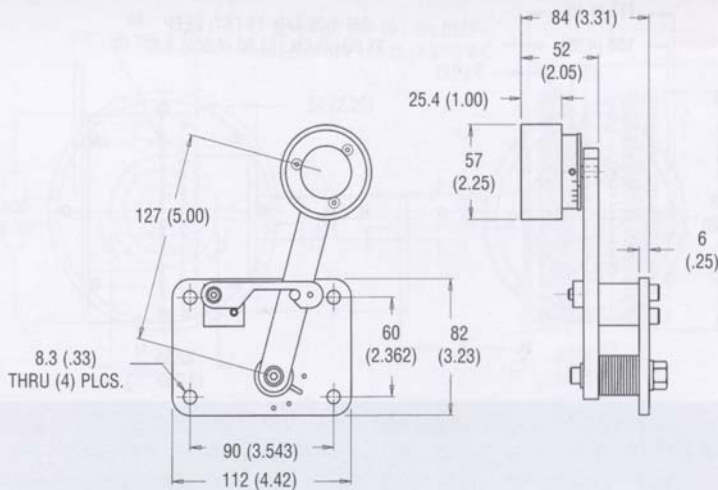
CONSTANT TENSION

Shown is 651-006R
(right hand configuration)



MODEL 651

Designed to provide constant surface tension.
This brake has a urethane housing that rides on the material diameter insuring constant tension.



MODEL	TENSION RANGE	UNIT WEIGHT	HEAT DISSIPATION
651-006L	.014 to .50 kg (.03 to 1.11 lbs.)	1.2 kg (2.6 lbs.)	13 watts

Call or see our web site for more information.

600

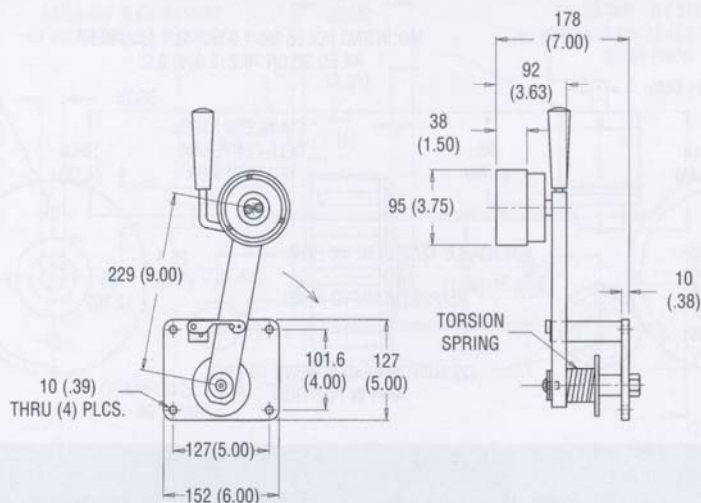
CONSTANT TENSION

Shown is 600-040L
(left hand configuration)



MODEL 600

Designed to provide constant surface tension.
This brake has a urethane housing that rides on the material diameter insuring constant tension.



MODEL	TENSION RANGE	UNIT WEIGHT	HEAT DISSIPATION
600-040L	.23 to 3 kg (.5 to 6.4 lbs.)	4.6 kg (10.7 lbs.)	28 watts

Call or see our web site for more information.