

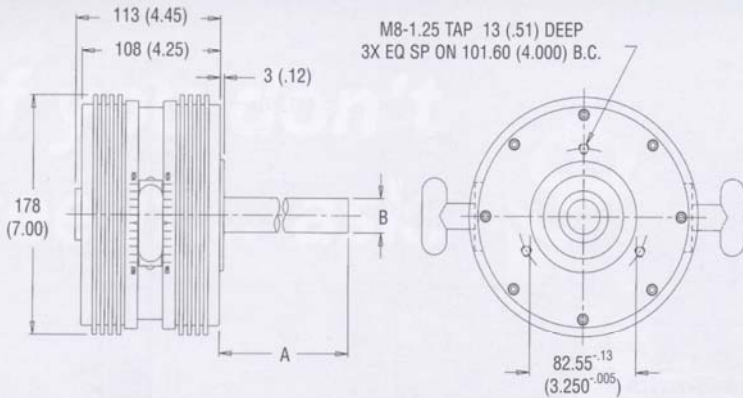
MODEL 929

Torque .68 to 15 Nm (6 to 140 in lbs)

BENDING MOMENT 23 Nm (200 in lbs)

HEAT DISSIPATION 180 Watts

929



METRIC			ENGLISH		
MODEL	WEIGHT	INERTIA	MODEL	WEIGHT	INERTIA
		DIMENSIONS			DIMENSIONS
		A B			A B
		mm mm ⁻⁰³			in in ⁻⁰⁰¹
929-001	11.8	182	929-001	26	400
	kg	(kgm ²)x10 ⁻⁵		lb	(in oz s ²)x10 ⁻³

Other sizes available; specify both "A" and "B"



MODEL 839 CONSTANT TENSION BRAKE WITH FOLLOWER ARM

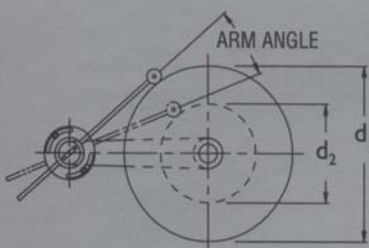
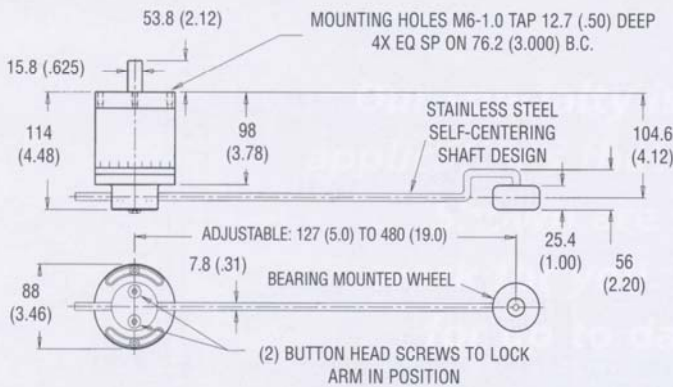
Torque .03 to 1.36 Nm (.3 to 12 in lbs)

WEIGHT 11.4 kg (7.7 lbs)

HEAT DISSIPATION 28 Watts

839

CONSTANT TENSION



The follower arm rides on diameter "d₁" following material down to diameter "d₂". "Arm angle" change decreases the brake torque to maintain constant tension from "d₁" to "d₂". Recommended for dedicated applications. See our web site for more information including how to spec and torque chart.

