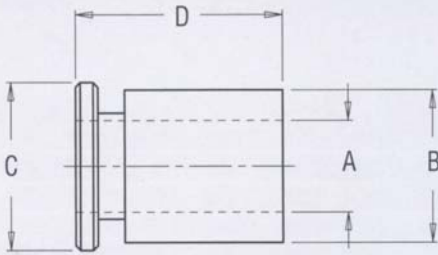


# FastLock

Fast locking collars.  
One hand operation no tools required.  
Usable on non hardened shafts.  
Shaft tolerance +.02 to -.38mm (+.001 to -.015 in.)

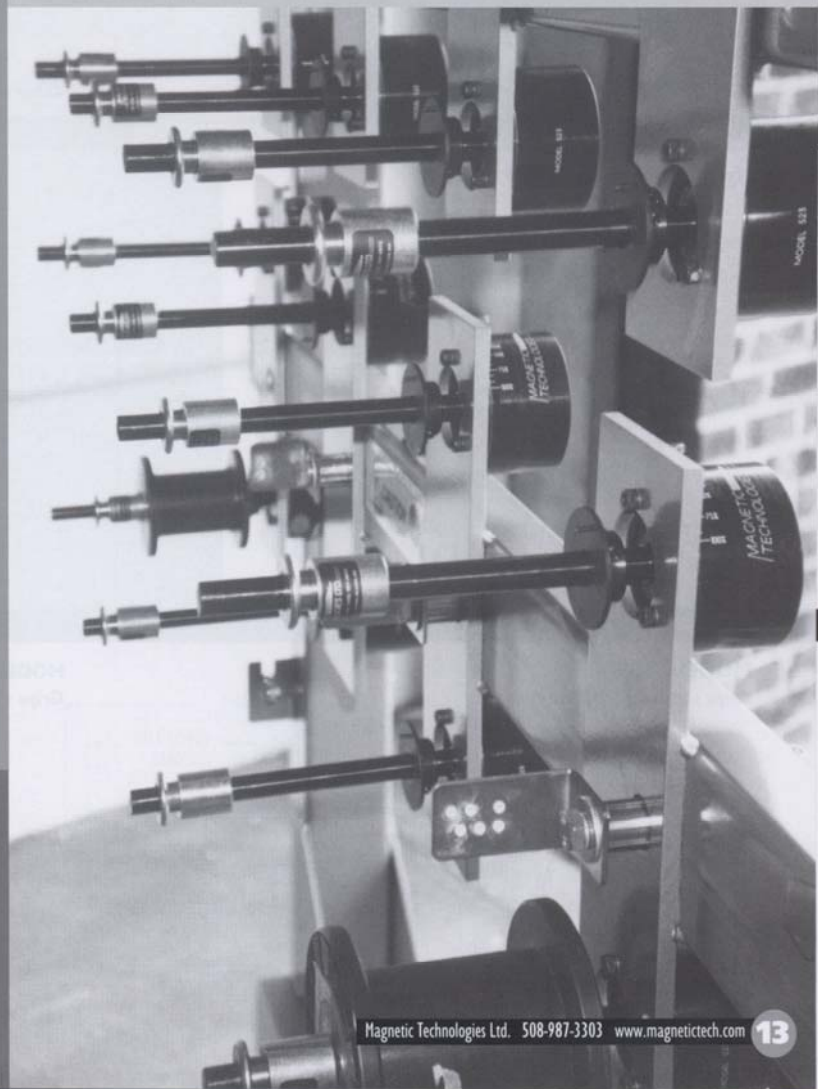


## AVAILABLE FASTLOCK MODELS

METRIC MODEL	MM A	MM B	MM C	MM D	WT Kg
FL-10mm	10	23	24	45	0.08
FL-15mm	15	29	35	45	0.13
FL-16mm	16	29	35	45	0.13
FL-20mm	20	38	41	45	0.24
FL-22mm	22	38	41	45	0.22
FL-25mm	25	38	41	45	0.19
FL-27mm	27	51	54	45	0.42
FL-30mm	30	51	54	45	0.39
FL-32mm	32	57	57	48	0.53
FL-35mm	35	57	58	48	0.47
FL-36mm	36	57	58	48	0.45
FL-40mm	40	63	63	48	0.56
FL-45mm	45	70	70	48	0.67
FL-50mm	50	70	70	48	0.54
FL-56mm	56	70	70	48	0.39

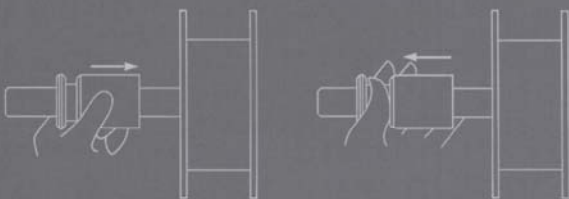
ENGLISH MODEL	IN A	IN B	IN C	IN D	WT Lb
FL-.375	.375	.88	.93	1.75	.19
FL-.500	.500	1.00	1.13	1.75	.23
FL-.625	.625	1.13	1.38	1.75	.28
FL-.750	.750	1.25	1.38	1.75	.31
FL-.875	.875	1.38	1.63	1.75	.37
FL-1.00	1.00	1.50	1.63	1.75	.39
FL-1.25	1.25	2.00	2.13	1.75	.79
FL-1.25HD	1.25	2.25	2.25	1.88	1.16
FL-1.312	1.312	2.25	2.25	1.88	1.10
FL-1.44	1.44	2.25	2.25	1.88	.93
FL-1.5	1.5	2.25	2.25	1.88	.89
FL-1.75	1.75	2.75	2.75	1.88	1.51
FL-1.875	1.875	2.75	2.75	1.88	1.37
FL-2.0	2.0	2.75	2.75	1.88	1.18

Other sizes available



**FAST ON**

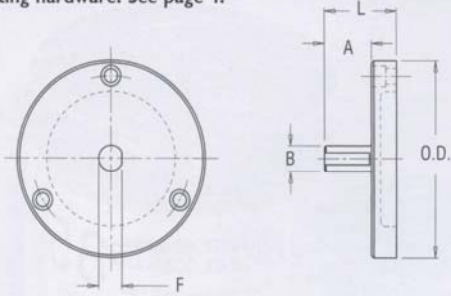
**FAST OFF**



# Accessories

## ADAPTORS

Utilized for clutch or clutch coupling arrangements. Comes with mounting hardware. See page 1.



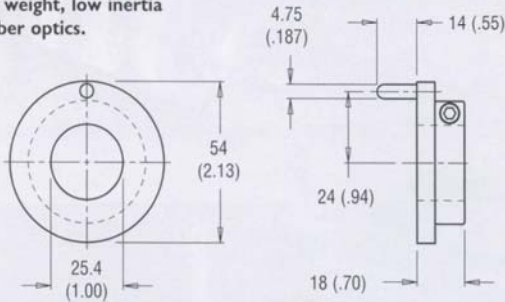
MODEL	FITS BRAKE	OD		A		L		B		F
		mm	in	mm	in	mm	in	mm	in	mm in
750-075	655	63.5	2.50	25.4	1.00	33.2	1.31	9.5	.375	Flat
750-005	523	82.5	3.25	25.4	1.00	33.2	1.31	9.5	.375	Flat
750-076	610	114	4.50	30.5	1.20	44.5	1.75	12.7	.500	1/8 <sup>th</sup> Key
750-077	663	127	5.00	34.3	1.35	47	1.85	19.0	.750	3/16 <sup>th</sup> Key

Other sizes available

## 710 DRIVE PLATE

### MODEL 710-040

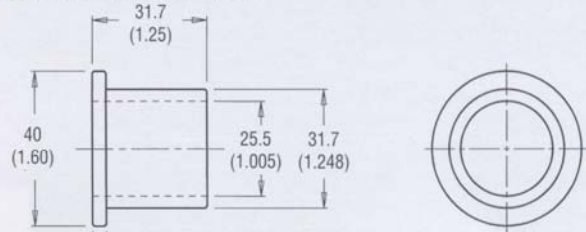
Light weight, low inertia for fiber optics.



## SPOOL ADAPTORS

### MODEL 750-184

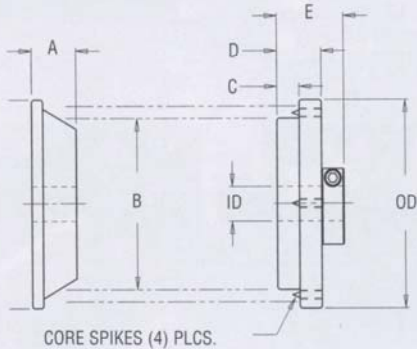
To mount 1 1/4" reels on 1" shafts.



Other sizes available

## CONES & SPIKED DRIVE PLATES

For Armid yarns. See photo back page.



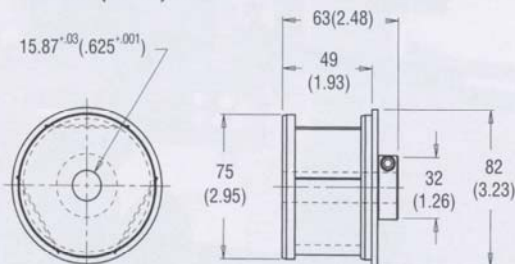
MODEL	ID	A	B	C	D	E	OD
	mm in	mm in	mm in	mm in	mm in	mm in	mm in
750-034	19.1 .750	25.4 1.00	93.5 3.68	13 .51	25.4 1.00	38 1.5	113 4.47
750-072	25.5 1.00	25.4 1.00	93.5 3.38	13 .51	25.4 1.00	38 1.5	113 4.47

Other sizes available

## TAPE PLUGS

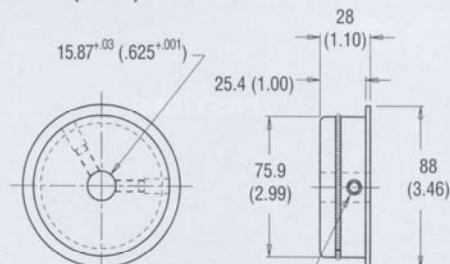
### MODEL 750-052

Grips standard 3" (76mm) cores



### MODEL 750-028

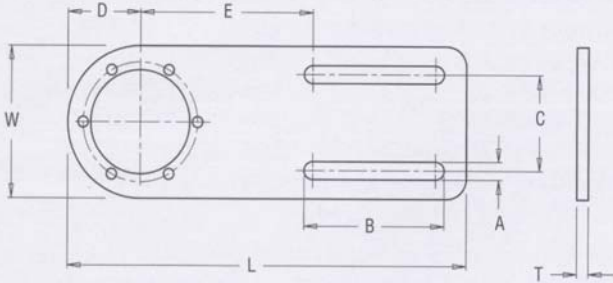
Grips standard 3" (76mm) cores



(2) 1/4-28 SET SCREWS 120° APART

## MOUNTING BRACKETS

See photo back cover, comes with mounting hardware.



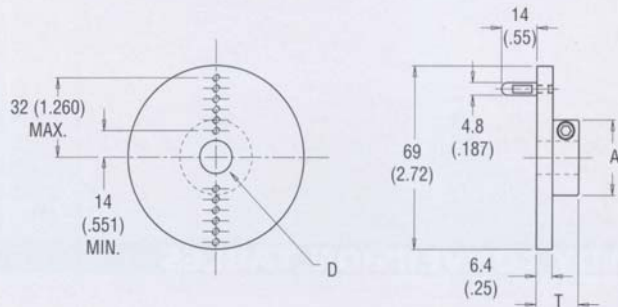
MODEL	FITS BRAKE	L		W		T		A		B		C		D		E	
		mm	in	mm	in	mm	in	mm	in	mm	in	mm	in	mm	in	mm	in
700-014M	513	127	5.00	25.4	1.00	3	.12	6.6	.26	45	1.7	NA	NA	12.7	.50	58	2.3
700-001M	527	163	6.4	58	2.3	5	.19	7	.28	51	2.0	38	1.50	28	1.12	71	2.8
700-006M	655	254	10.0	71	2.8	6	.25	9	.34	76	3.0	44	1.75	35	1.37	127	5.0
700-002M	523 & 609	305	12.0	89	3.5	6	.25	11	.44	79	3.1	64	2.50	44	1.75	157	6.2
700-003M	610	305	12.0	127	5.0	6	.25	11	.44	89	3.5	89	3.50	64	2.50	130	5.1
700-007M	663	406	16.0	152	6.0	8	.31	14	.56	127	5.0	102	4.00	83	3.26	180	7.1

## 705 DRIVE PLATE

Multi-position pin with non marring clamp collar design.

Part #	D		A		T	
	mm	in	mm	in	mm	in
705-0433	11.00	0.433	27.9	1.10	17.3	0.68
705-0500	12.70	0.500	28.4	1.12	16.8	0.66
705-0591	15.00	0.591	34.0	1.34	19.3	0.76
705-0625	15.88	0.625	33.3	1.31	17.5	0.69
705-0630	16.00	0.630	34.0	1.34	19.3	0.76
705-0750	19.05	0.750	38.1	1.50	19.1	0.75
705-0787	20.00	0.787	40.0	1.57	21.3	0.84
705-0866	22.00	0.866	42.0	1.65	21.3	0.84
705-0875	22.23	0.875	41.1	1.62	19.1	0.75
705-0984	25.00	0.984	45.0	1.77	21.3	0.84
705-0100	25.40	1.000	44.5	1.75	19.1	0.75

Drive Pin Adjustable Every 2 mm (.079 in)



## 720 DRIVE PLATE

Multi-position pin with non marring clamp collar design.

Part #	D		A		T	
	mm	in	mm	in	mm	in
720-0100	25.40	1.000	44.5	1.75	20.6	0.81
720-0110	28.00	1.102	48.0	1.89	23.0	0.90
720-0125	31.75	1.250	52.3	2.06	20.6	0.81
720-0126	32.00	1.259	54.0	2.13	23.0	0.90
720-0137	34.93	1.375	57.2	2.25	22.1	0.87
720-0138	35.00	1.378	57.0	2.24	23.0	0.90
720-0142	36.00	1.417	57.0	2.24	23.0	0.90
720-0150	38.10	1.500	60.5	2.38	22.1	0.87

Drive Pin Adjustable Every 5 mm (.197 in)

