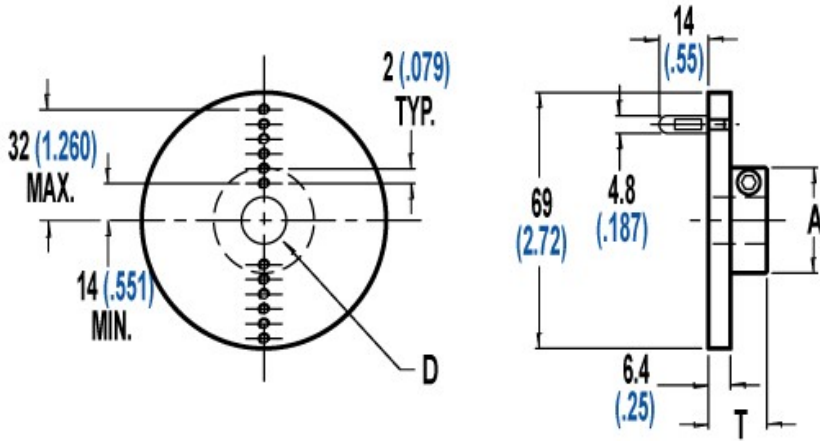


# Drive Plates

## ► Model 705 Drive Plate



Model 705  
Drive Plate

Pin Location (R) \* Stainless pin can be positioned at any "R"

mm	10	12	14	16	18	20	22	24	26	28	30	32
in	0.393	0.472	0.551	0.630	0.709	0.788	0.866	0.945	1.024	1.103	1.181	1.260

Metric (mm)

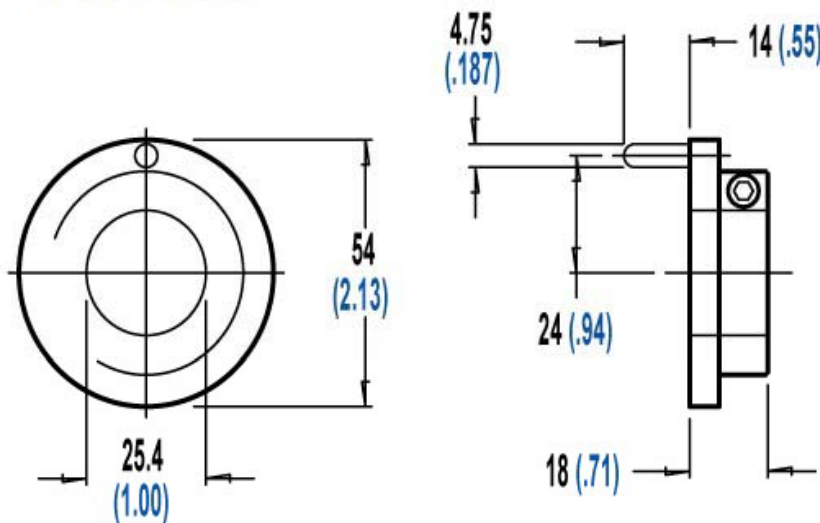
Dimensions

English (in)

Dimensions

D	A	T	Model	D	A	T
11.00	27.9	17.3	705-0433	0.433	1.10	0.68
12.70	28.4	16.8	705-0500	0.500	1.12	0.66
15.00	34.0	19.3	705-0591	0.591	1.34	0.76
15.88	33.3	17.5	705-0625	0.625	1.31	0.69
16.00	34.0	19.3	705-0630	0.630	1.34	0.76
19.05	38.1	19.1	705-0750	0.750	1.50	0.75
20.00	40.0	21.3	705-0787	0.787	1.57	0.84
22.00	42.0	21.3	705-0866	0.866	1.65	0.84
22.23	41.1	19.1	705-0875	0.875	1.62	0.75
25.00	45.0	21.3	705-0984	0.984	1.77	0.84
25.40	44.5	19.1	705-0100	1.000	1.75	0.75

## ► Model 710 Drive Plate



Model 710  
Drive Plate

Metric (mm)

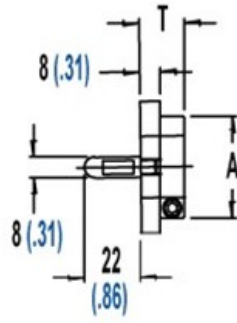
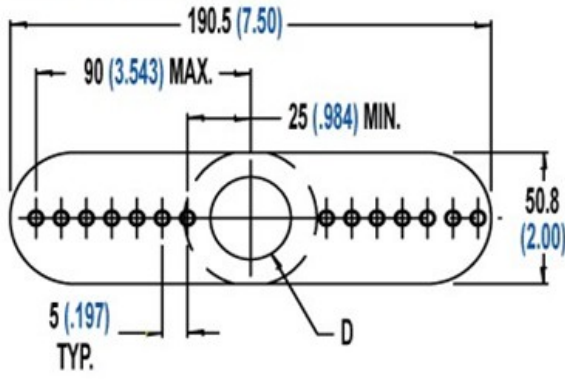
Dimensions

English (in)

Dimensions

D	A	T	Model	D	A	T
25.40	44.50	17.8	710-040	1.00	1.75	0.70

► Model 720 Drive Plate



Model 720  
Drive Plate

Pin Location (R)

\* Stainless pin can be positioned at any "R"

<b>mm</b>	25	30	35	40	45	50	55	60	65	70	75	80	85	90
<b>in</b>	0.984	1.182	1.378	1.575	1.772	1.969	2.165	2.362	2.559	2.756	2.953	3.150	3.347	3.543

**Metric (mm)**

**Dimensions**

**English (in)**

**Dimensions**

<b>D</b>	<b>A</b>	<b>T</b>	<b>Model</b>	<b>D</b>	<b>A</b>	<b>T</b>
25.40	44.5	20.6	720-0100	1.000	1.75	0.81
28.00	48.0	23.0	720-0110	1.102	1.89	0.90
31.75	52.3	20.6	720-0125	1.250	2.06	0.81
32.00	54.0	23.0	720-0126	1.259	2.13	0.90
34.93	57.2	22.1	720-0137	1.375	2.25	0.87
35.00	57.0	23.0	720-0138	1.378	2.24	0.90
36.00	57.0	23.0	720-0142	1.417	2.24	0.90
38.10	60.5	22.1	720-0150	1.500	2.38	0.87