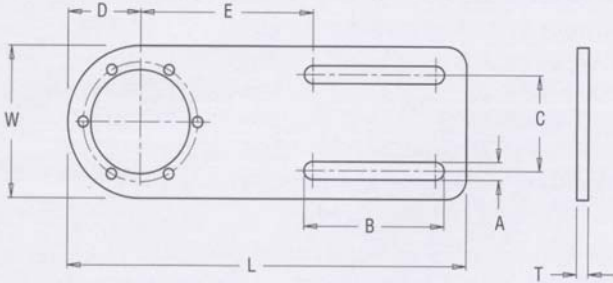


MOUNTING BRACKETS

See photo back cover, comes with mounting hardware.



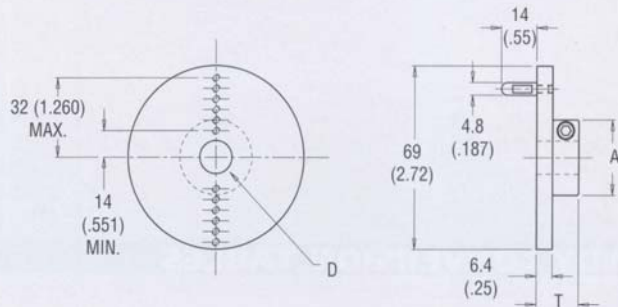
MODEL	FITS BRAKE	L		W		T		A		B		C		D		E	
		mm	in	mm	in	mm	in	mm	in	mm	in	mm	in	mm	in	mm	in
700-014M	513	127	5.00	25.4	1.00	3	.12	6.6	.26	45	1.7	NA	NA	12.7	.50	58	2.3
700-001M	527	163	6.4	58	2.3	5	.19	7	.28	51	2.0	38	1.50	28	1.12	71	2.8
700-006M	655	254	10.0	71	2.8	6	.25	9	.34	76	3.0	44	1.75	35	1.37	127	5.0
700-002M	523 & 609	305	12.0	89	3.5	6	.25	11	.44	79	3.1	64	2.50	44	1.75	157	6.2
700-003M	610	305	12.0	127	5.0	6	.25	11	.44	89	3.5	89	3.50	64	2.50	130	5.1
700-007M	663	406	16.0	152	6.0	8	.31	14	.56	127	5.0	102	4.00	83	3.26	180	7.1

705 DRIVE PLATE

Multi-position pin with non marring clamp collar design.

Part #	D		A		T	
	mm	in	mm	in	mm	in
705-0433	11.00	0.433	27.9	1.10	17.3	0.68
705-0500	12.70	0.500	28.4	1.12	16.8	0.66
705-0591	15.00	0.591	34.0	1.34	19.3	0.76
705-0625	15.88	0.625	33.3	1.31	17.5	0.69
705-0630	16.00	0.630	34.0	1.34	19.3	0.76
705-0750	19.05	0.750	38.1	1.50	19.1	0.75
705-0787	20.00	0.787	40.0	1.57	21.3	0.84
705-0866	22.00	0.866	42.0	1.65	21.3	0.84
705-0875	22.23	0.875	41.1	1.62	19.1	0.75
705-0984	25.00	0.984	45.0	1.77	21.3	0.84
705-0100	25.40	1.000	44.5	1.75	19.1	0.75

Drive Pin Adjustable Every 2 mm (.079 in)



720 DRIVE PLATE

Multi-position pin with non marring clamp collar design.

Part #	D		A		T	
	mm	in	mm	in	mm	in
720-0100	25.40	1.000	44.5	1.75	20.6	0.81
720-0110	28.00	1.102	48.0	1.89	23.0	0.90
720-0125	31.75	1.250	52.3	2.06	20.6	0.81
720-0126	32.00	1.259	54.0	2.13	23.0	0.90
720-0137	34.93	1.375	57.2	2.25	22.1	0.87
720-0138	35.00	1.378	57.0	2.24	23.0	0.90
720-0142	36.00	1.417	57.0	2.24	23.0	0.90
720-0150	38.10	1.500	60.5	2.38	22.1	0.87

Drive Pin Adjustable Every 5 mm (.197 in)

