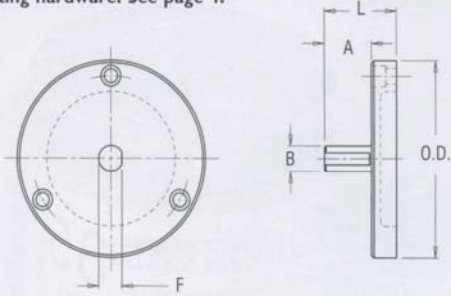


Accessories

ADAPTORS

Utilized for clutch or clutch coupling arrangements. Comes with mounting hardware. See page 1.



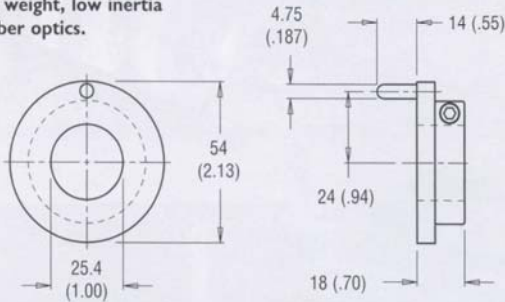
MODEL	FITS BRAKE	OD		A		L		B		F
		mm	in	mm	in	mm	in	mm	in	mm in
750-075	655	63.5	2.50	25.4	1.00	33.2	1.31	9.5	.375	Flat
750-005	523	82.5	3.25	25.4	1.00	33.2	1.31	9.5	.375	Flat
750-076	610	114	4.50	30.5	1.20	44.5	1.75	12.7	.500	1/8 th Key
750-077	663	127	5.00	34.3	1.35	47	1.85	19.0	.750	3/16 th Key

Other sizes available

710 DRIVE PLATE

MODEL 710-040

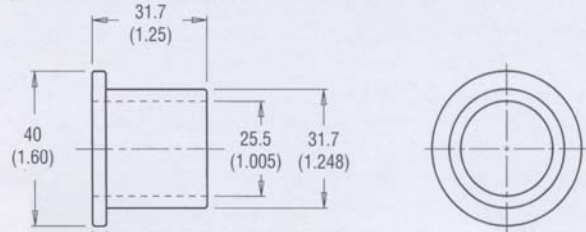
Light weight, low inertia for fiber optics.



SPOOL ADAPTORS

MODEL 750-184

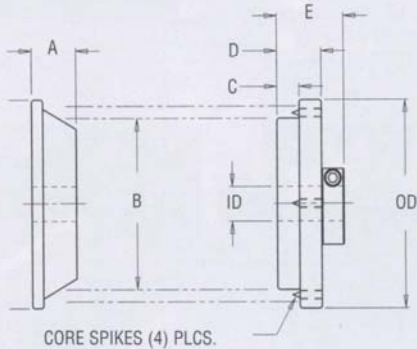
To mount 1 1/4" reels on 1" shafts.



Other sizes available

CONES & SPIKED DRIVE PLATES

For Armid yarns. See photo back page.



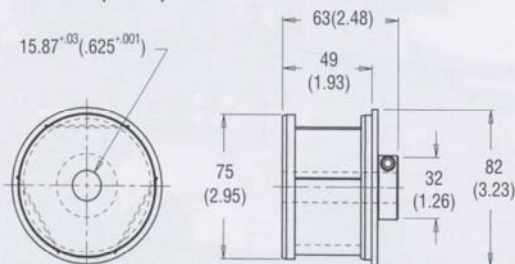
MODEL	ID		A		B		C		D		E		OD
	mm	in	mm	in	mm	in	mm	in	mm	in	mm	in	
750-034	19.1	.750	25.4	1.00	93.5	3.68	13	.51	25.4	1.00	38	1.5	113 4.47
750-072	25.5	1.00	25.4	1.00	93.5	3.38	13	.51	25.4	1.00	38	1.5	113 4.47

Other sizes available

TAPE PLUGS

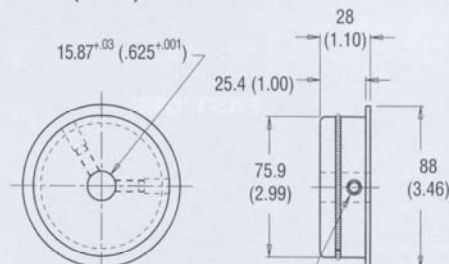
MODEL 750-052

Grips standard 3" (76mm) cores



MODEL 750-028

Grips standard 3" (76mm) cores



(2) 1/4-28 SET SCREWS 120° APART