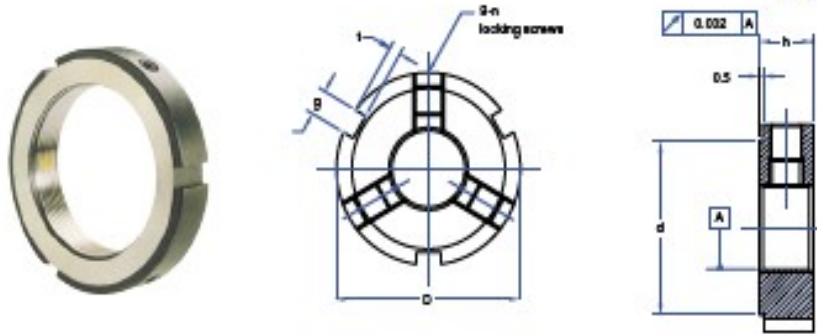


MR Series—Radial Locking

- Material—AISI 4140
- Hardness—HRC 28-32
- Precision—ISO 4H



Part Number	Dimensions in mm						Locking Screws			
	D ₁ P	D	h	g	t	d	DIN	Max Tightening Torque (T) N-m	Allowable Axial Load (C _A) kN	Loosening Torque (T) N-m
MR 6x0.5		16	8	3	2	11	M4	2	7.8	11
MR 8x0.75		16	8	3	2	11	M4	2	10.2	15
MR 10x0.75		18	8	3	2	13	M4	2	11	18
MR 12x1		24	8	3	2	19	M4	2	20	19
MR 15x1		28	8	3	2	23	M4	2	30	22
MR 17x1		32	10	4	2	27	M5	4.7	40	28
MR 20x1		35	10	4	2	30	M5	4.7	50	30
MR 20x1.5		35	10	4	2	30	M5	4.7	50	30
MR 25x1.5		42	12	5	2	36	M6	8	75	55
MR 30x1.5		48	12	5	2	43	M6	8	90	75
MR 35x1.5		53	12	5	2	48	M6	8	110	90
MR 40x1.5		58	14	6	2.5	52	M6	8	130	120
MR 45x1.5		65	14	6	2.5	59	M6	8	150	130
MR 50x1.5		70	14	6	2.5	64	M6	8	175	150
MR 55x2		75	16	7	3	68	M8	18.6	225	170
MR 60x2		80	16	7	3	73	M8	18.6	250	200
MR 65x2		85	16	7	3	78	M8	18.6	290	220
MR 70x2		92	18	8	3.5	84	M8	18.6	340	240
MR 75x2		98	18	8	3.5	90	M8	18.6	360	260
MR 80x2		105	18	8	3.5	96	M8	18.6	430	280
MR 85x2		112	18	8	3.5	104	M8	18.6	460	300
MR 90x2		118	20	10	4	108	M8	18.6	520	320
MR 100x2		128	20	10	4	118	M8	18.6	570	360
MR 110x2		145	24	12	5	132	M8	18.6	640	400
MR 120x2		155	24	12	5	142	M8	18.6	680	450
MR 130x2		165	24	12	5	152	M8	18.6	730	500
MR 140x2		180	26	12	5	165	M10	35	800	550
MR 150x2		195	26	12	5	180	M10	35	850	600
MR 160x2		210	28	12	5	190	M10	35	980	650
MR 170x2		220	28	12	5	200	M10	35	1030	700
MR 180x3		230	30	12	5	210	M10	35	1140	750
MR 190x3		240	30	12	5	220	M10	35	1200	800
MR 200x3		250	30	12	5	230	M10	35	1250	850

When ordering the above products, please refer to the HOW TO ORDER section on page 5.