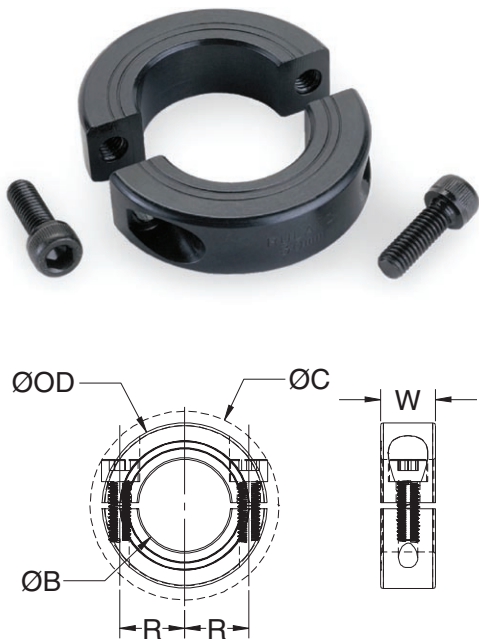


TWO-PIECE CLAMP STYLE COLLAR

METRIC DIMENSION SERIES

MSP

PART NUMBER				SPECIFICATIONS					
BLACK OXIDE STEEL	ALUMINUM	STAINLESS STEEL	PLASTIC	BORE B (mm)	OUTER DIAM. OD (mm)	SCREW LOCATION R (mm)	CLEARANCE DIAMETER C (mm) MAX	WIDTH W (mm)	FORGED CLAMP SCREW
MSP-3-F	MSP-3-A	MSP-3-SS		3	16	5.51	20.8	9	M3
MSP-4-F	MSP-4-A	MSP-4-SS		4	16	5.51	20.8	9	M3
MSP-5-F	MSP-5-A	MSP-5-SS	MSP-5-P	5	16	5.51	20.8	9	M3
MSP-6-F	MSP-6-A	MSP-6-SS	MSP-6-P	6	16	5.51	20.8	9	M3
MSP-7-F	MSP-7-A	MSP-7-SS		7	18	6.50	22.4	9	M3
MSP-8-F	MSP-8-A	MSP-8-SS	MSP-8-P	8	18	6.50	22.4	9	M3
MSP-9-F	MSP-9-A	MSP-9-SS		9	24	8.51	26.3	9	M3
MSP-10-F	MSP-10-A	MSP-10-SS	MSP-10-P	10	24	8.51	26.3	9	M3
MSP-11-F	MSP-11-A	MSP-11-SS		11	28	10.01	32.0	11	M4
MSP-12-F	MSP-12-A	MSP-12-SS	MSP-12-P	12	28	10.01	32.0	11	M4
MSP-13-F	MSP-13-A	MSP-13-SS		13	30	11.00	33.7	11	M4
MSP-14-F	MSP-14-A	MSP-14-SS	MSP-14-P	14	30	11.00	33.7	11	M4
MSP-15-F	MSP-15-A	MSP-15-SS	MSP-15-P	15	34	12.50	39.3	13	M5
MSP-16-F	MSP-16-A	MSP-16-SS	MSP-16-P	16	34	12.50	39.3	13	M5
MSP-17-F	MSP-17-A	MSP-17-SS		17	36	13.49	41.1	13	M5
MSP-18-F	MSP-18-A	MSP-18-SS		18	36	13.49	41.1	13	M5
MSP-19-F	MSP-19-A	MSP-19-SS		19	40	14.73	47.4	15	M6
MSP-20-F	MSP-20-A	MSP-20-SS	MSP-20-P	20	40	14.73	47.4	15	M6
MSP-21-F	MSP-21-A	MSP-21-SS		21	42	16.00	49.5	15	M6
MSP-22-F	MSP-22-A	MSP-22-SS		22	42	16.00	49.5	15	M6
MSP-23-F	MSP-23-A	MSP-23-SS		23	45	17.50	52.1	15	M6
MSP-24-F	MSP-24-A	MSP-24-SS		24	45	17.50	52.1	15	M6
MSP-25-F	MSP-25-A	MSP-25-SS	MSP-25-P	25	45	17.50	52.1	15	M6
MSP-26-F	MSP-26-A	MSP-26-SS		26	48	19.00	54.7	15	M6
MSP-28-F	MSP-28-A	MSP-28-SS		28	48	19.00	54.7	15	M6
MSP-30-F	MSP-30-A	MSP-30-SS	MSP-30-P	30	54	21.49	59.2	15	M6
MSP-32-F	MSP-32-A	MSP-32-SS		32	54	21.49	59.2	15	M6
MSP-34-F	MSP-34-A	MSP-34-SS		34	57	23.24	62.4	15	M6
MSP-35-F	MSP-35-A	MSP-35-SS		35	57	23.24	62.4	15	M6
MSP-36-F	MSP-36-A	MSP-36-SS		36	57	23.24	62.4	15	M6
MSP-38-F	MSP-38-A	MSP-38-SS		38	60	24.99	65.6	15	M6
MSP-40-F	MSP-40-A	MSP-40-SS		40	60	24.99	65.6	15	M6
MSP-42-F	MSP-42-A	MSP-42-SS		42	73	29.49	80.1	19	M8
MSP-45-F	MSP-45-A	MSP-45-SS		45	73	29.49	80.1	19	M8
MSP-48-F	MSP-48-A	MSP-48-SS		48	78	32.00	84.7	19	M8
MSP-50-F	MSP-50-A	MSP-50-SS		50	78	32.00	84.7	19	M8
MSP-54-F		MSP-54-SS		54	82	34.24	88.8	19	M8
MSP-55-F		MSP-55-SS		55	82	34.24	88.8	19	M8
MSP-60-F		MSP-60-SS		60	88	37.01	94.0	19	M8
MSP-65-F		MSP-65-SS		65	93	39.50	99.8	19	M8
MSP-70-F		MSP-70-SS		70	98	42.01	104.5	19	M8
MSP-75-F		MSP-75-SS		75	103	44.50	109.1	19	M8
MSP-80-F		MSP-80-SS		80	108	46.99	113.8	19	M8



- Does not mar the shaft.
- Single point faced.
- Available with keyways.
- Opposing screws available.
- Inch sizes on page 5.
- Width tolerance: +.08 mm
-.25 mm